

4400F Series

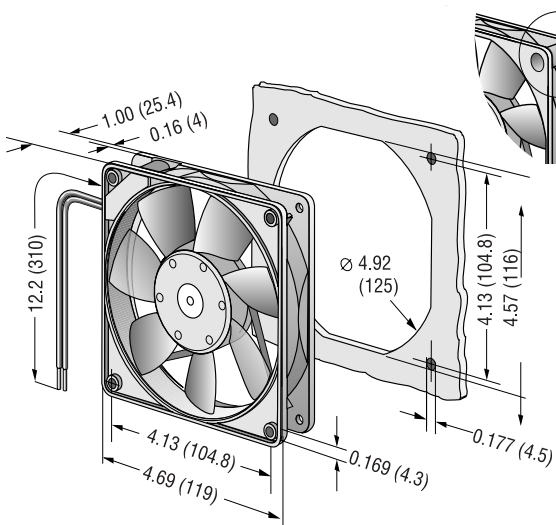
Tubeaxial

119x119x25mm



- DC fans with electronically commutated external rotor motor. Fully integrated commutation electronics.
- With electronic protection against reverse polarity, blocking and overloading by PTC-resistor partially impedance protected.
- Mounting from either face using four 4.3 mm holes.
- Fan of fiberglass reinforced plastic. PBTP housing, PA impeller.
- Air exhaust over struts. Rotational direction CCW looking at rotor.
- Electrical connection via 2 leads AWG 22, TR 64. Stripped and tinned ends.
- UL, CSA, VDE approvals on some models, please contact application engineering.

| Part Number | Curve | CFM @ 0 | VDC | Volt. Range | Power (W) | dBA | Max Amb. Temp C | Bearing Type | Features | Wgt. (lbs) |
|-------------|-------|---------|-----|-------------|-----------|-----|-----------------|--------------|-----------|------------|
| 4412FGL | 1 | 55.3 | 12 | 7 to 14 | 1.3 | 26 | 75 | Sintec | Leads | 0.39 |
| 4412FGML | 2 | 67.1 | 12 | 7 to 12.6 | 2.0 | 32 | 75 | Sintec | Leads | 0.39 |
| 4412FML | 2 | 67.1 | 12 | 7 to 12.6 | 2.0 | 32 | 75 | Ball | Leads | 0.39 |
| 4412FGM | 3 | 82.4 | 12 | 7 to 12.6 | 3.2 | 38 | 75 | Sintec | Leads | 0.39 |
| 4412FM | 3 | 82.4 | 12 | 7 to 12.6 | 3.2 | 38 | 75 | Ball | Leads | 0.39 |
| 4482FM | 3 | 82.4 | 12 | 7 to 12.6 | 3.2 | 38 | 75 | Ball | Terminals | 0.39 |
| 4412FG | 4 | 100.1 | 12 | 8 to 12.6 | 5.3 | 43 | 60 | Sintec | Leads | 0.39 |
| 4412F | 4 | 100.1 | 12 | 8 to 12.6 | 5.3 | 43 | 60 | Ball | Leads | 0.39 |
| <hr/> | | | | | | | | | | |
| 4414FL | 1 | 55.3 | 24 | 18 to 28 | 1.0 | 26 | 75 | Ball | Leads | 0.39 |
| 4414FM | 3 | 82.4 | 24 | 12 to 28 | 3.2 | 38 | 75 | Ball | Leads | 0.39 |
| 4484FM | 3 | 82.4 | 24 | 12 to 28 | 3.2 | 38 | 75 | Ball | Terminals | 0.39 |
| 4414FG | 4 | 100.1 | 24 | 12 to 28 | 5.0 | 43 | 75 | Sintec | Leads | 0.39 |
| 4414F | 4 | 100.1 | 24 | 12 to 28 | 5.0 | 43 | 60 | Ball | Leads | 0.39 |
| 4484F | 4 | 100.1 | 24 | 12 to 28 | 5.0 | 43 | 60 | Ball | Terminals | 0.39 |
| <hr/> | | | | | | | | | | |
| 4418F | 4 | 100.1 | 48 | 43 to 53 | 5.5 | 28 | 60 | Ball | Leads | 0.39 |



Available on request:
Fan housing with moulded-in
spacers. For mounting over
both flanges.

